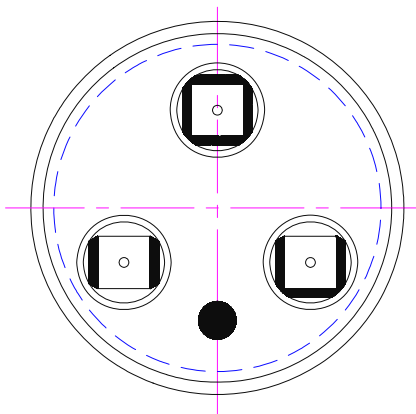
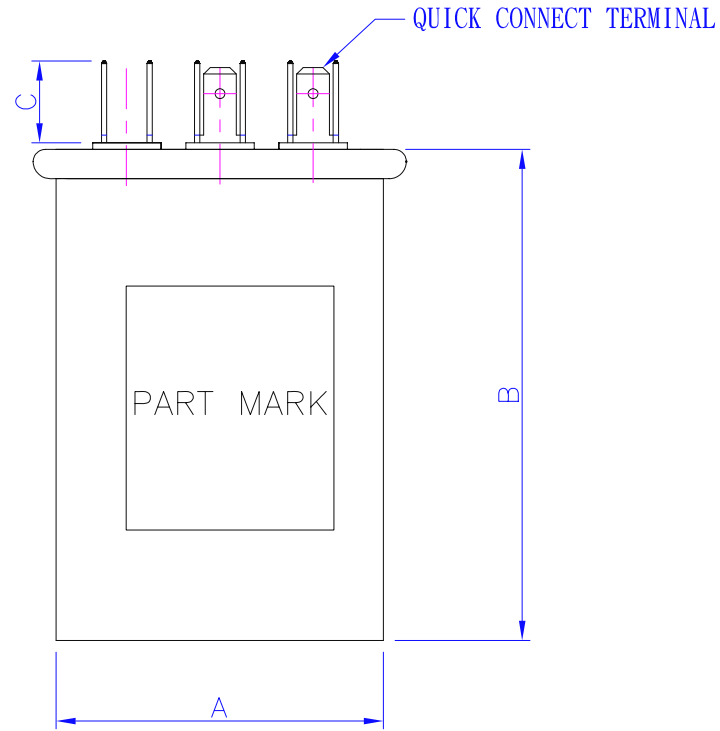

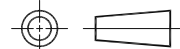




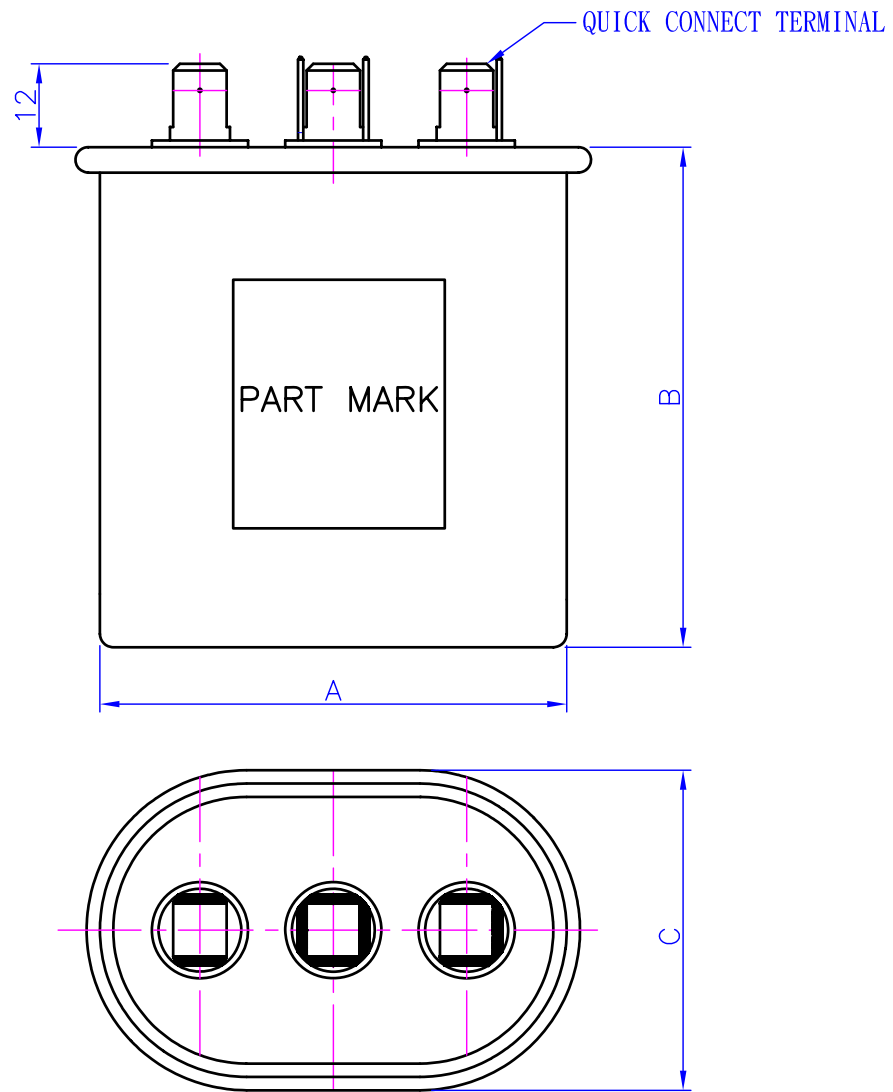
Material	
Color	
Appearance	A , B , C , D
Tolerance	Precision, Medium, Ordinary


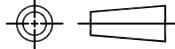


DO NOT SCALE DRAWING	MODEL		 <b>HON HAMN GROUP CORP.</b>
UNLESS OTHERWISE SPECIFIED DIMENSIONS ARE IN MILLIMETERS	MATERIAL		
	FINISHED		
THIRD ANGLE PROJ.	Q'TY		DESCRIPTION
	DRAWN	DATE	<b>CAPACITOR.</b> DRAWING NO
DECIMAL TOLERANCES	CHECK		
x .xx .xxx	DESIGN		REV:
ANGLES X. DEG			SCALE
			SHEET
			1 OF 1

NO.	Date	Drawn	Checked	Approved

Material	
Color	
Appearance	Ⓐ , B , C , D
Tolerance	Precision, Medium, Ordinary



					DO NOT SCALE DRAWING	MODEL	 <b>HON HAMN GROUP CORP.</b>		
					UNLESS OTHERWISE SPECIFIED DIMENSIONS ARE IN MILLIMETERS	MATERIAL			
					THIRD ANGLE PROJ.	Q'TY	DESCRIPTION <b>CAPACITOR.</b>		
						DRAWN			
NO.    Date    Drawn    Checked    Approved					DECIMAL TOLERANCES	CHECK	DRAWING NO		SIZE
					x .xx xxx ANGLES X. DEG	DESIGN			REV:
								<b>TYPE -3</b>	<b>A4</b>
								1 OF 1	