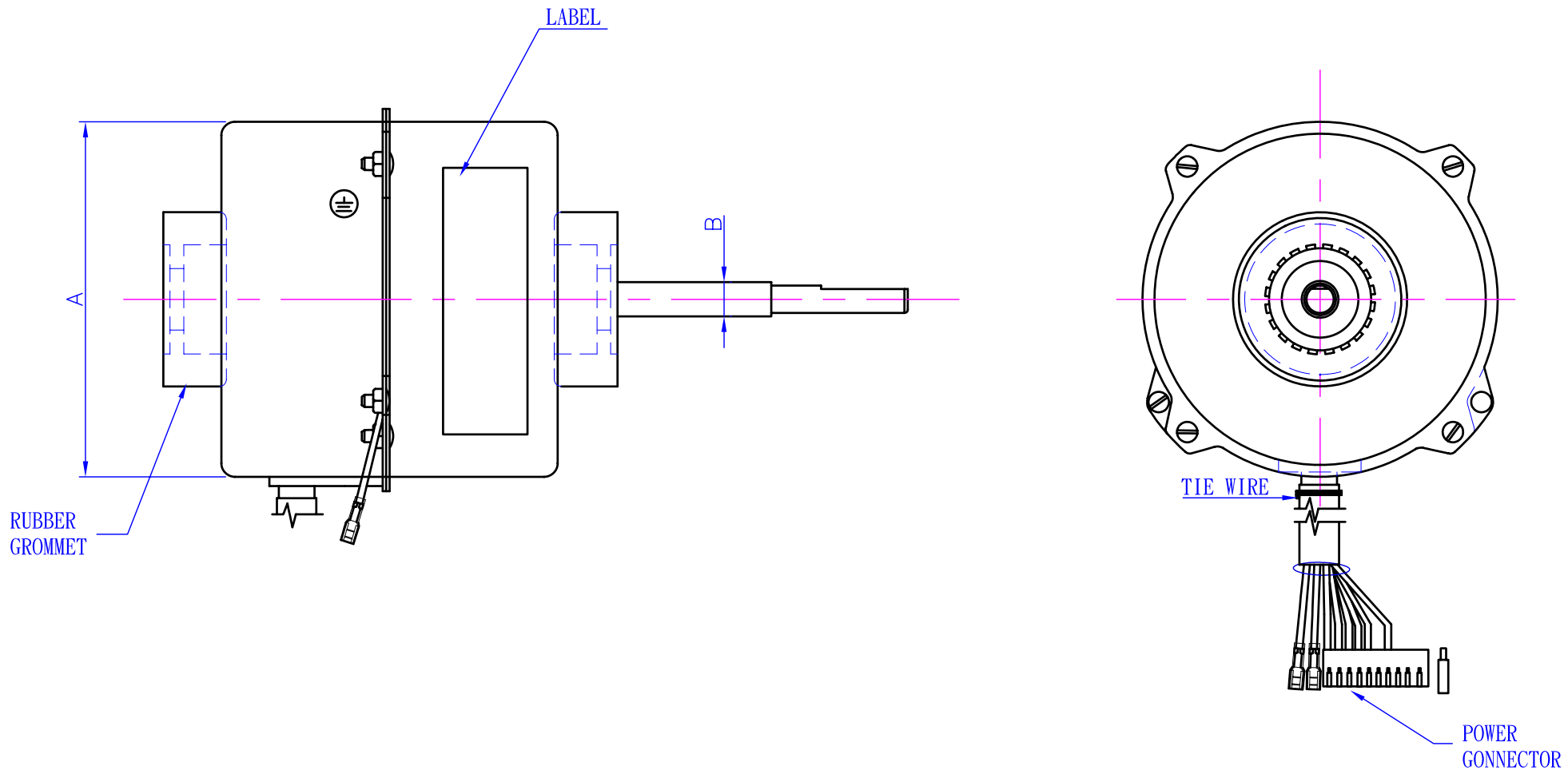


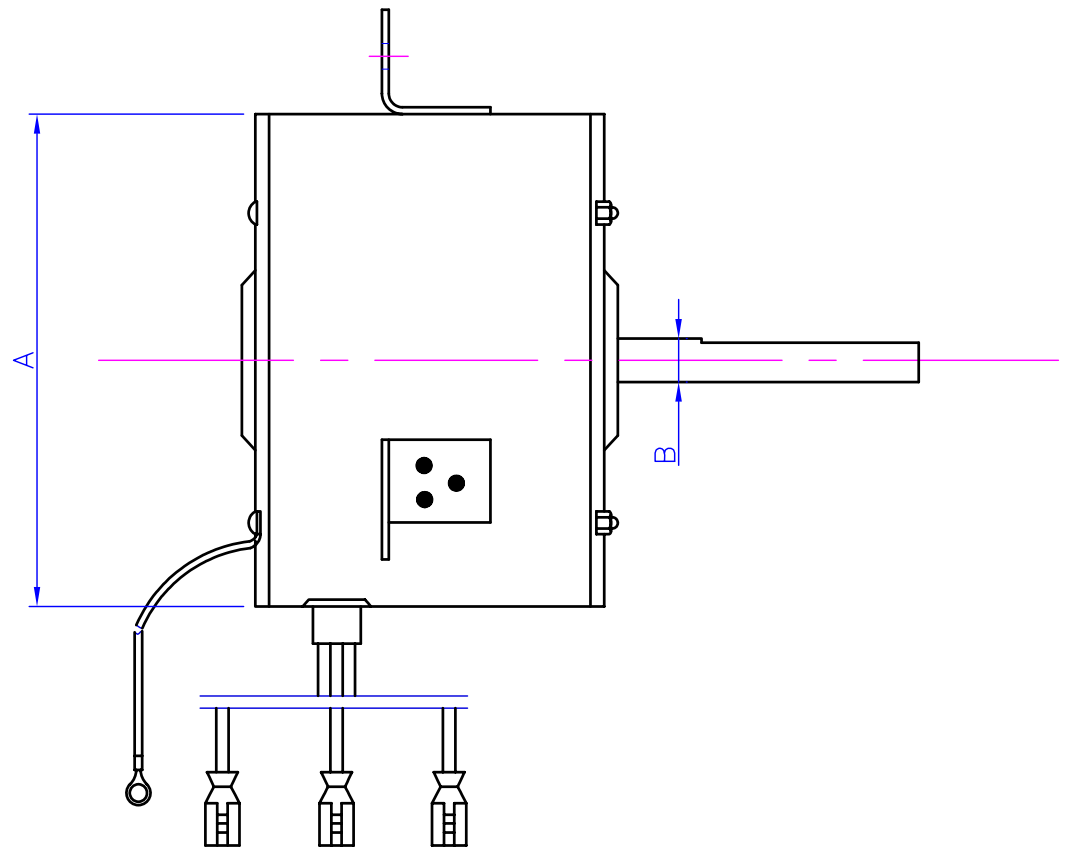
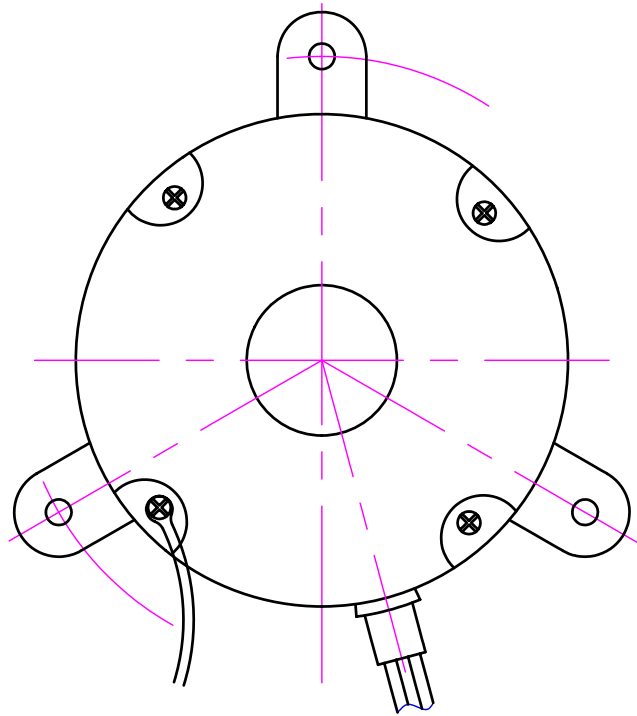
Material	
Color	
Appearance	Ⓐ , B , C , D
Tolerance	Precision,Medium, <u>Ordinary</u>




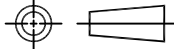
					DO NOT SCALE DRAWING	MODEL				
					UNLESS OTHERWISE SPECIFIED DIMENSIONS ARE IN MILLIMETERS	MATERIAL				
						FINISHED				
					THIRD ANGLE PROJ.	Q'TY	DESCRIPTION			
						DRAWN	DATE	DRAWING NO		
					DECIMAL TOLERANCES	CHECK	TYPE-1			SIZE
					x .xx .xxx	DESIGN	REV:	SCALE	SHEET	A4
NO.	Date	Drawn	Checked	Approved	ANGLES X.	DEG				1 OF 1



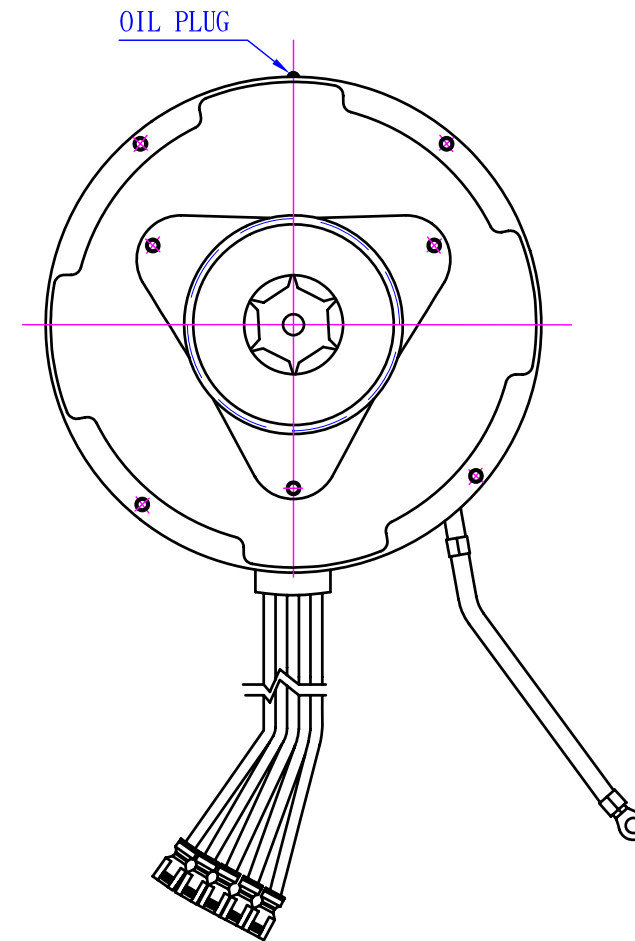
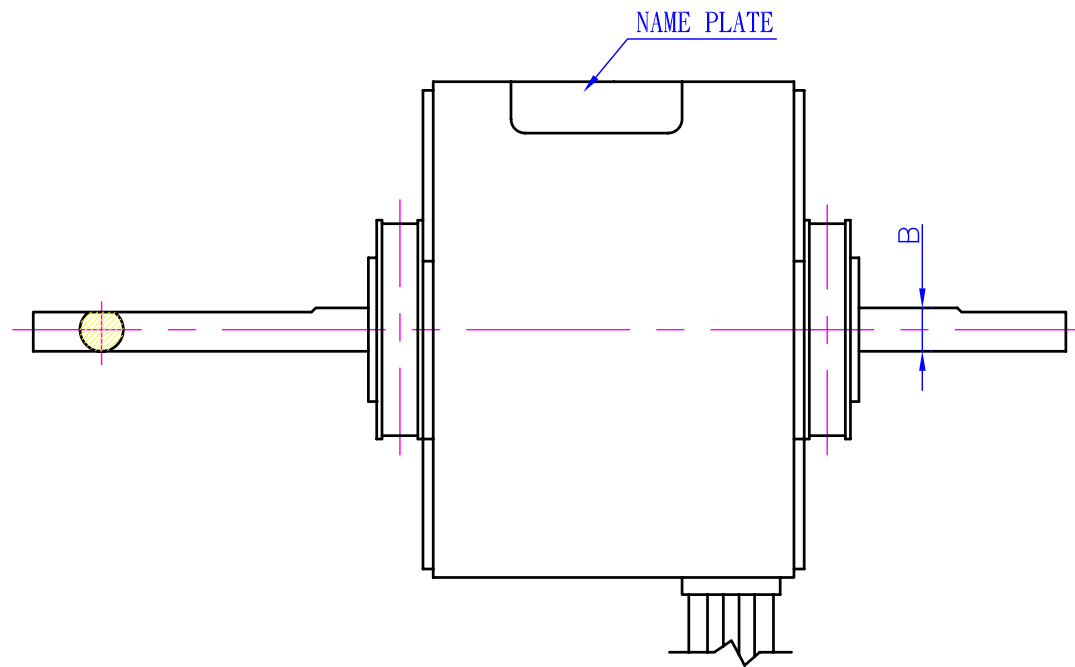
Material	
Color	
Appearance	Ⓐ , B , C , D
Tolerance	Precision,Medium, <u>Ordinary</u>


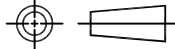


NO.	Date	Drawn	Checked	Approved

DO NOT SCALE DRAWING		MODEL		 HON HAMN GROUP CORP.
UNLESS OTHERWISE SPECIFIED DIMENSIONS ARE IN MILLIMETERS		MATERIAL		
		FINISHED		
THIRD ANGLE PROJ.	Q'TY	DESCRIPTION		
		DRAWN	DATE	
DECIMAL TOLERANCES	CHECK	DRAWING NO		
x .xx xxx	DESIGN	TYPE-2		
ANGLES X DEG		REV:	SCALE	
			SHEET	
			1 OF 1	

Material	
Color	
Appearance	Ⓐ , B , C , D
Tolerance	Precision,Medium, <u>Ordinary</u>



					DO NOT SCALE DRAWING	MODEL		 HON HAMN GROUP CORP.	
					UNLESS OTHERWISE SPECIFIED DIMENSIONS ARE IN MILLIMETERS	MATERIAL			
					THIRD ANGLE PROJ.	Q'TY		DESCRIPTION	
						DRAWN	DATE	DRAWING NO	
					DECIMAL TOLERANCES	CHECK		TYPE-3	
					x .xx .xxx	DESIGN		REV:	SCALE
NO.	Date	Drawn	Checked	Approved	ANGLES X DEG			SHEET	1 OF 1