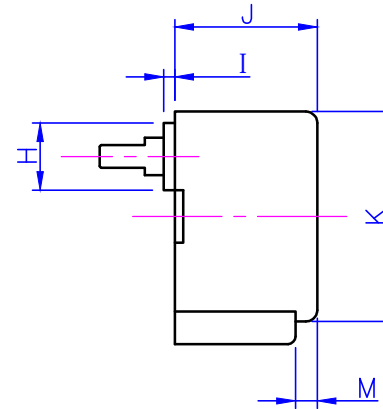
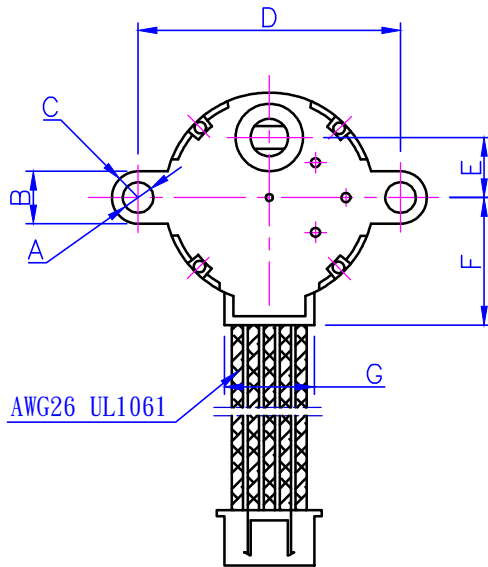
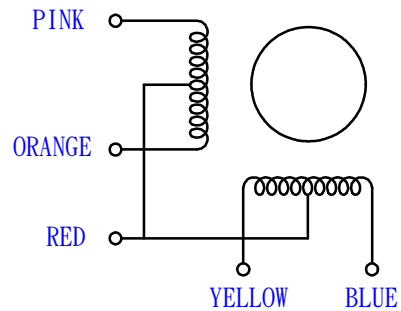


Material	
Color	
Appearance	Ⓐ , B , C , D
Tolerance	Precision,Medium, <u>Ordinary</u>




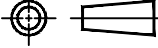
03 02 08 4  
 QC  
 DATE  
 MONTH  
 YEAR

WIRING DIAGRAM



1-2 PHASE EXITATION UNIPOLAR DRIVE

	WIRE COLOR	1	2	3	4	5	6	7	8
1	BLANK								
2	RED	+	+	+	+	+	+	+	+
3	BLUE	-	-						-
4	YELLOW				-	-			
5	ORANGE						-	-	-
6	PINK		-	-	-				

DO NOT SCALE DRAWING	MODEL		HON HAMN GROUP CORP.	
UNLESS OTHERWISE SPECIFIED DIMENSIONS ARE IN MILLIMETERS	MATERIAL			
	FINISHED			
THIRD ANGLE PROJ.	Q'TY	DESCRIPTION		
	DRAWN DATE	STEPPER MOTOR		
DECIMAL TOLERANCES	CHECK	DRAWING NO		SIZE
.X .XX .XXX	DESIGN	REV:		A4
ANGLES X. DEG		SCALE	SHEET	1 OF 1

NO.	Date	Drawn	Checked	Approved