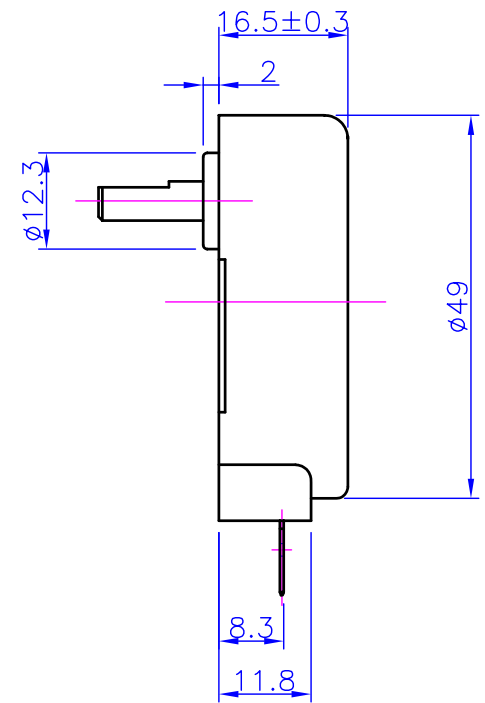
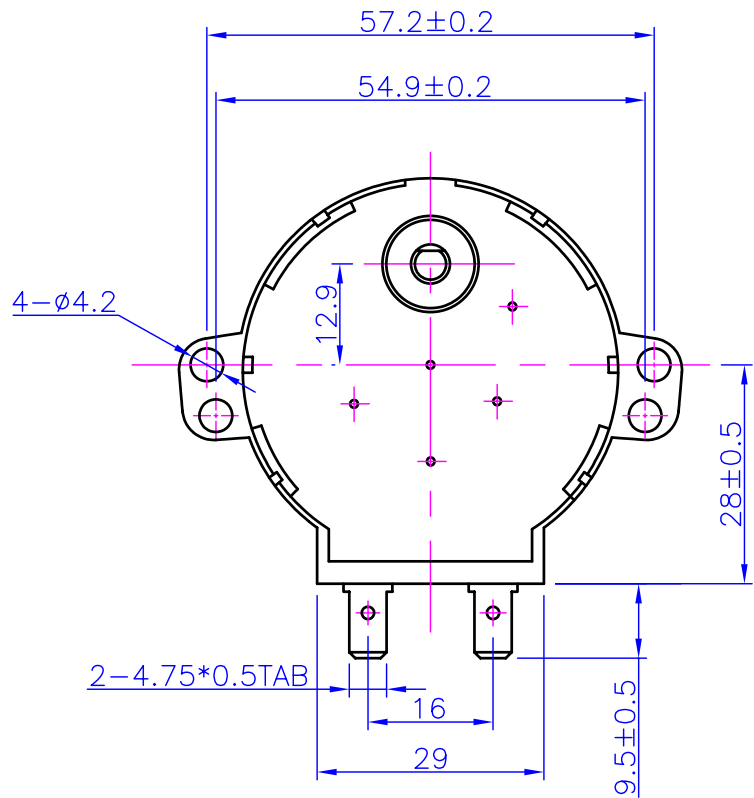


Material	
Color	
Appearance	Ⓐ , B , C , D
Tolerance	Precision, Medium, <u>Ordinary</u>

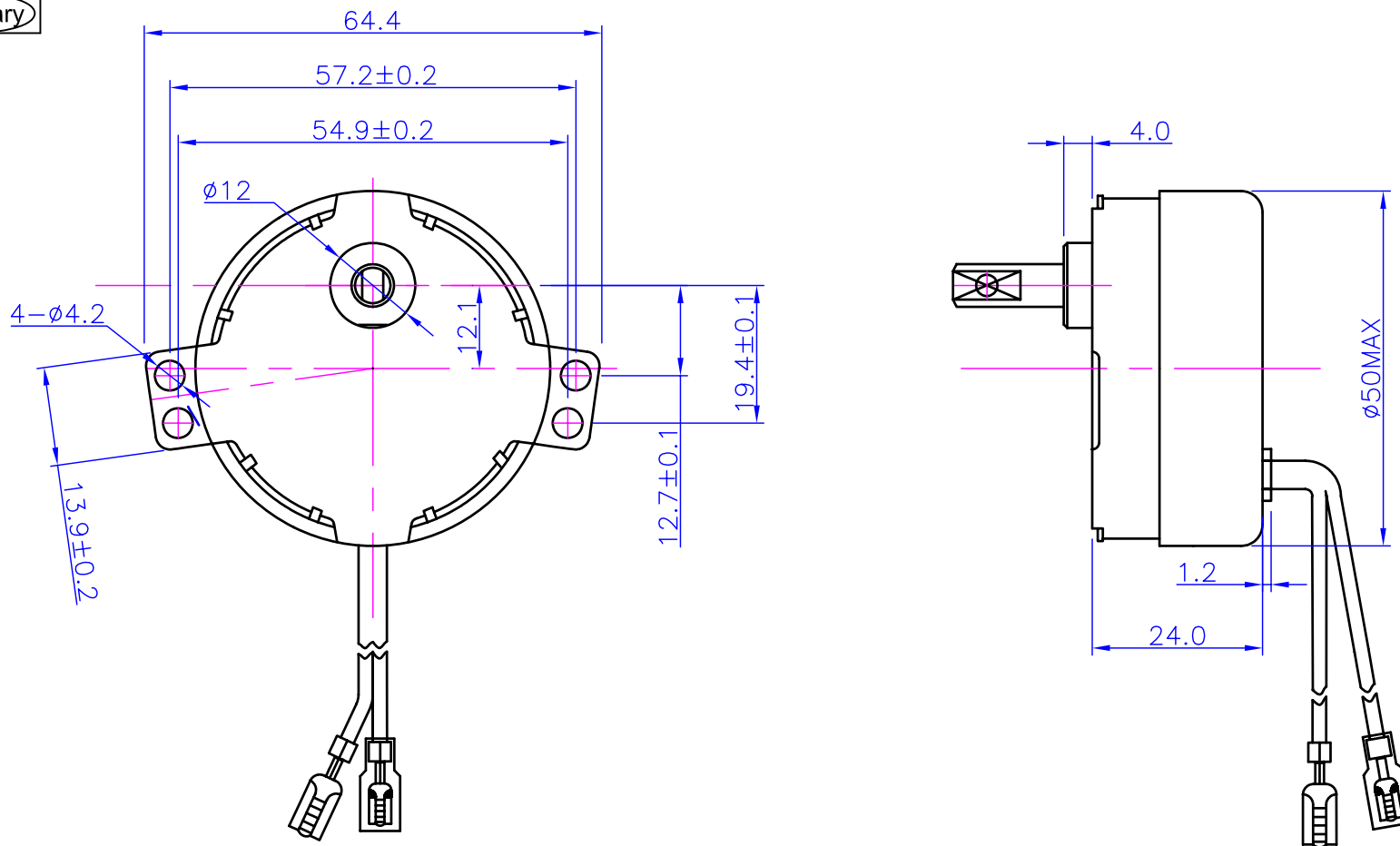



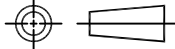
NO.	Date	Drawn	Checked	Approved

DO NOT SCALE DRAWING	MODEL	
UNLESS OTHERWISE SPECIFIED DIMENSIONS ARE IN MILLIMETERS	MATERIAL	
	FINISHED	
THIRD ANGLE PROJ.	Q'TY	
	DRAWN	DATE
	CHECK	
DECIMAL TOLERANCES	DESIGN	
x .xx xxx ANGLES X DEG		

		HON HAMN GROUP CORP.	
		DESCRIPTION	
		LOUVER MOTOR	
		DRAWING NO	
		HA TYPE	
		SIZE	
		A4	
REV:	SCALE	SHEET	1 OF 1

Material	
Color	
Appearance	Ⓐ , B , C , D
Tolerance	Precision,Medium, <u>Ordinary</u>



DO NOT SCALE DRAWING	MODEL		 HON HAMN GROUP CORP.
UNLESS OTHERWISE SPECIFIED DIMENSIONS ARE IN MILLIMETERS	MATERIAL		
	FINISHED		
THIRD ANGLE PROJ.	Q'TY		DESCRIPTION
	DRAWN	DATE	SYNCHRONOUS MOTOR
DECIMAL TOLERANCES	CHECK		DRAWING NO
x .xx xxx	DESIGN		HP TYPE
ANGLES X DEG			REV:
			SCALE
			SHEET
			1 OF 1

NO.	Date	Drawn	Checked	Approved