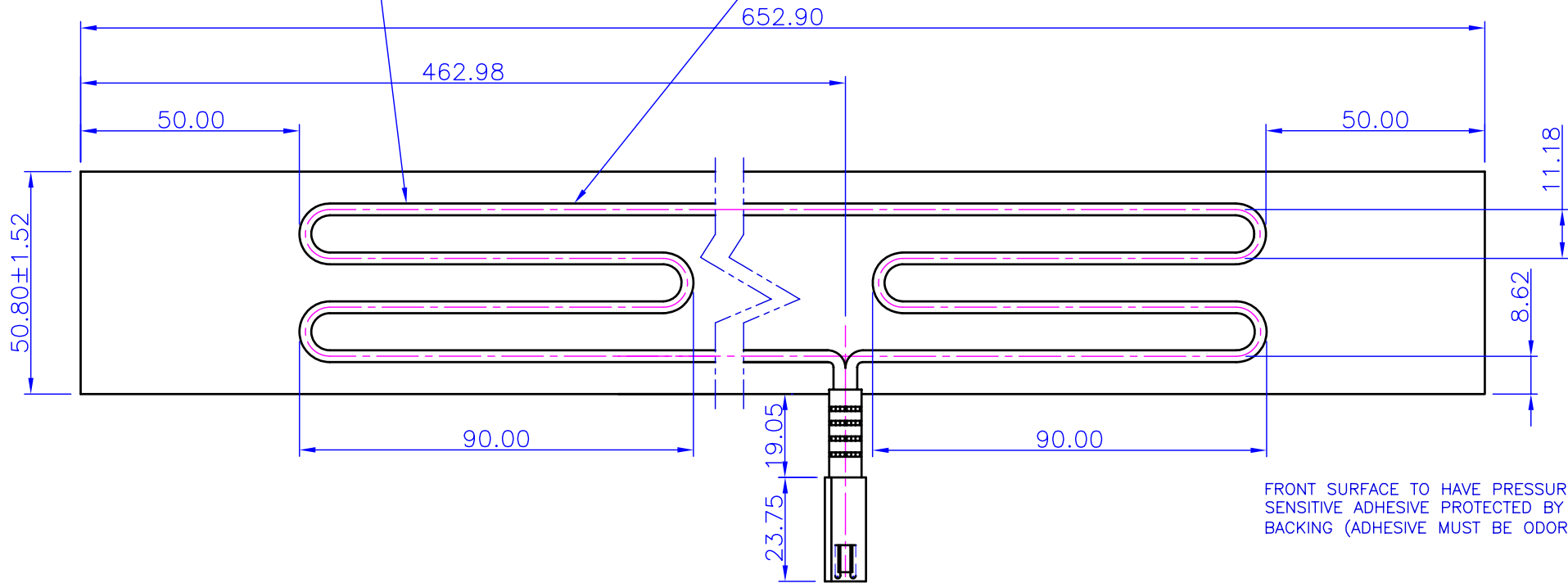


| | |
|------------|-----------------------------|
| Material | |
| Color | |
| Appearance | (A) , B , C , D |
| Tolerance | Precision,Medium,(Ordinary) |

HEATER WIRE MATERIAL: TOTAL RESISTANCE ($\pm 7\%$) TO PROVIDE 15 WATTS WITH A VOLTS APPLIED.
 0.79 WALL OF 105°C PLASTIC INSULATION.
 COLOR OPTION WHITE OR BLUE.

BOND WIRE LEADS SECURELY TO 0.08 ± 0.03 THICK ALUMINUM.




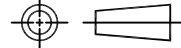
FRONT SURFACE TO HAVE PRESSURE SENSITIVE ADHESIVE PROTECTED BY PAPER BACKING (ADHESIVE MUST BE ODORLESS)

NOTES:

1. FOR ADDITIONAL INFORMATION AND REQUIREMENTS. REFER TO LATEST REVISION OF G. P. C WIRING HARNESS SPECIFICATION#1106.
2. PART NUMBER MUST APPEAR ON EACH PART.
3. FOIL TO BE MEDIUM HARD. MUST BE ODORLESS.
4. PRIOR TO PRODUCTION. SAMPLE MUST BE SUBMITTED TO SRMCO QUALITY ASSURANCE & ENGINEERING FOR APPROVAL

TABULATION:

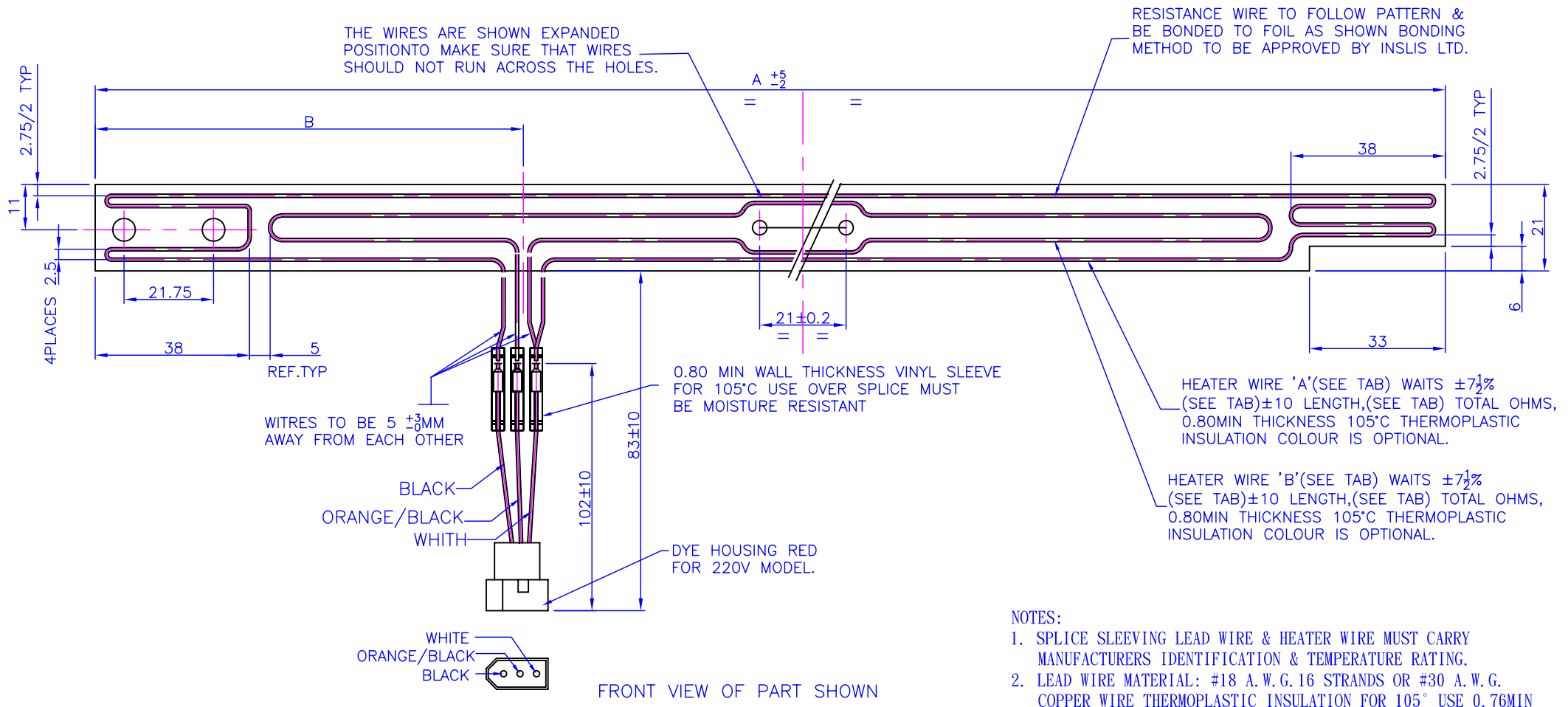
| ITEM | REF. NO. | USED ON | A (TEST VOLTS) | B (COLOR CODE) |
|------|----------|---------------|----------------|----------------|
| 01 | 199345 | 127 V NOMINAL | 115 V | YELLOW |
| 02 | 199346 | 220 V NOMINAL | 230 V | BULE |

| | | | |
|---|------------|---|--------|
| DO NOT SCALE DRAWING | MODEL |  HON HAMN GROUP CORP. | |
| UNLESS OTHERWISE SPECIFIED DIMENSIONS ARE IN MILLIMETERS | MATERIAL | | |
| THIRD ANGLE PROJ. | Q'TY | DESCRIPTION | |
|  | DRAWN DATE | HEATER - MULLION | |
| DECIMAL TOLERANCES | CHECK | DRAWING NO | |
| x .xx xxx | DESIGN | EL-00046 | |
| ANGLES X DEG | REV: | SCALE | SHEET |
| | | | 1 OF 1 |

| NO. | Date | Drawn | Checked | Approved |
|-----|------|-------|---------|----------|
| | | | | |
| | | | | |



| | |
|------------|------------------------------------|
| Material | |
| Color | |
| Appearance | A , B , C , D |
| Tolerance | Precision, Medium, <u>Ordinary</u> |



NOTES:

1. SPLICE SLEEVING LEAD WIRE & HEATER WIRE MUST CARRY MANUFACTURERS IDENTIFICATION & TEMPERATURE RATING.
2. LEAD WIRE MATERIAL: #18 A.W.G. 16 STRANDS OR #30 A.W.G. COPPER WIRE THERMOPLASTIC INSULATION FOR 105° USE 0.76MIN AWG. THICKNESS. COLOUR AS NOTED SPEC. WM 3271.

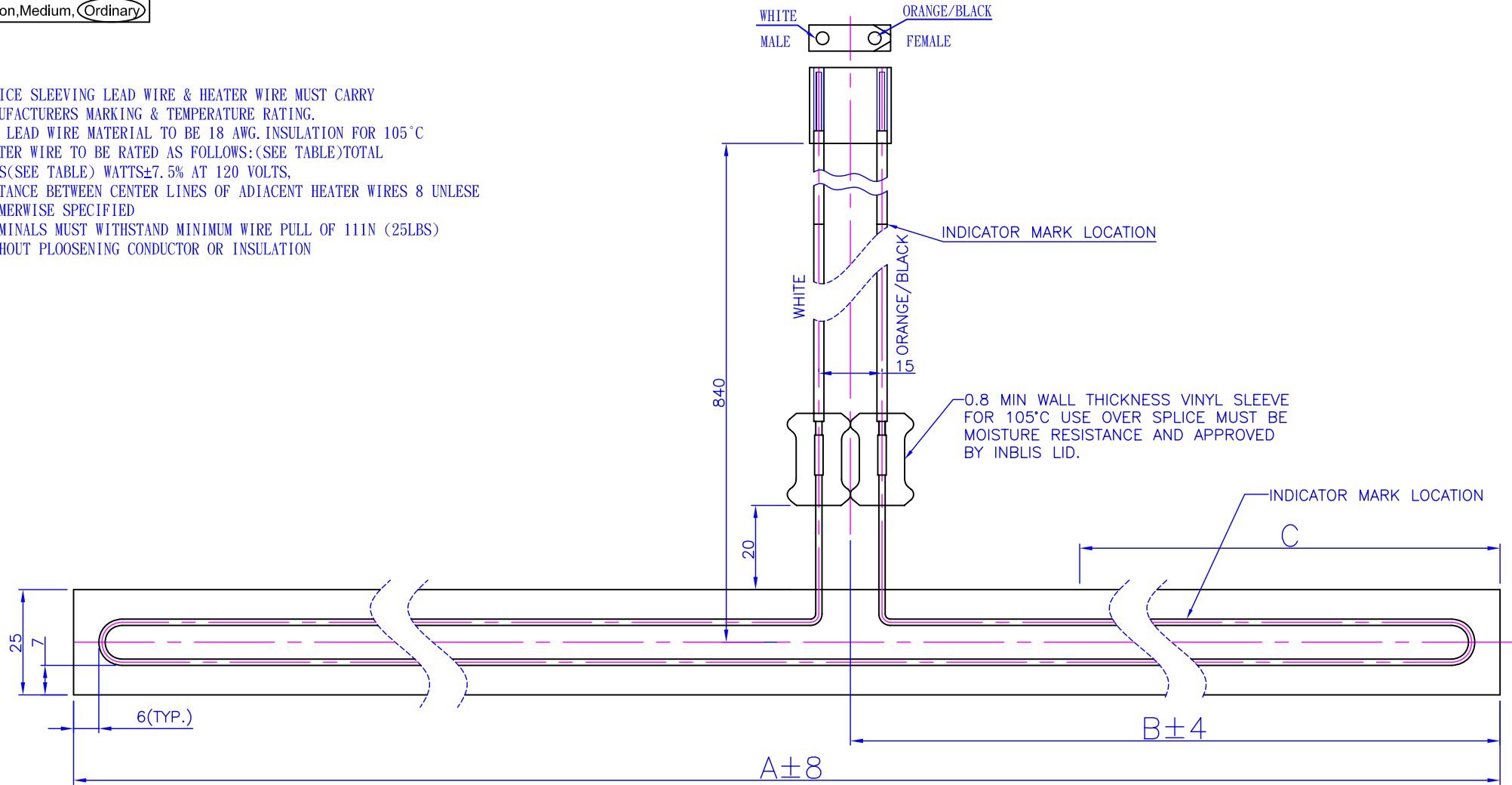
| 920620 | 19/21/23 CFT | 120 | 704 | 232 | 1850 | 1440 | 10 | 1200 | 2400 | 6 |
|---------|--------------|-------|--------|--------|-----------------|------------|-------|-----------------|------------|-------|
| 920620A | 19/21/23 CFT | 220 | 704 | 232 | 1850 | 4840 | 10 | 1200 | 8067 | 6 |
| 920619 | 14/15/16 CFT | 120 | 656 | 208 | 1750 | 1440 | 10 | 1100 | 2400 | 6 |
| 920619A | 14/15/16 CFT | 220 | 656 | 208 | 1750 | 4840 | 10 | 1100 | 8067 | 6 |
| 920618 | 13 CFT | 120 | 555 | 158 | 1550 | 1440 | 10 | 900 | 2400 | 6 |
| 920618A | 13 CFT | 220 | 555 | 158 | 1550 | 4840 | 10 | 900 | 8067 | 6 |
| PART NO | MODEL | VOLTS | DIM. A | DIM. B | LENGTH | TOTAL OHMS | WAITS | LENGTH | TOTAL OHMS | WAITS |
| | | | | | HEATER WIRE "A" | | | HEATER WIRE "B" | | |

| | | | | |
|-----|------|-------|---------|----------|
| NO. | Date | Drawn | Checked | Approved |
|-----|------|-------|---------|----------|

| | | | | |
|---|----------|------|----------------------------|----------------------|
| DO NOT SCALE DRAWING UNLESS OTHERWISE SPECIFIED DIMENSIONS ARE IN MILLIMETERS | MODEL | | | HON HAMN GROUP CORP. |
| THIRD ANGLE PROJ. | MATERIAL | | | |
| DECIMAL TOLERANCES X ANGLES X | FINISHED | | DESCRIPTION HEATER MULLION | |
| | Q'TY | | DRAWING NO 9206--- | SIZE A3 |
| | DRAWN | DATE | REV: | SCALE |
| | CHECK | | | SHEET 1 OF 1 |
| | DESIGN | | | |

| | |
|------------|------------------------------------|
| Material | |
| Color | |
| Appearance | A , B , C , D |
| Tolerance | Precision, Medium, <u>Ordinary</u> |

- NOTES: 1. SPLICE SLEEVING LEAD WIRE & HEATER WIRE MUST CARRY MANUFACTURERS MARKING & TEMPERATURE RATING.
 2. ALL LEAD WIRE MATERIAL TO BE 18 AWG. INSULATION FOR 105°C
 3. HEATER WIRE TO BE RATED AS FOLLOWS: (SEE TABLE) TOTAL OHMS(SEE TABLE) WATTS±7.5% AT 120 VOLTS,
 4. DISTANCE BETWEEN CENTER LINES OF ADJACENT HEATER WIRES 8 UNLESS OTHERWISE SPECIFIED
 5. TERMINALS MUST WITHSTAND MINIMUM WIRE PULL OF 111N (25LBS) WITHOUT PLOOSENING CONDUCTOR OR INSULATION



| 9791495 | 16&18 CU. FT. F/F | 1813 | 720 | 524 | 3690 | 3330-3870 | 4 | 115/120V |
|----------|-------------------|--------|--------|--------|--------------------|-----------------------------|-----------------------------|----------|
| 9791494 | 14 CU. FT. F/F | 1729 | 702 | 506 | 3531 | 3330-3870 | 4 | 115/120V |
| 9791493A | 12 CU. FT. F/F | 1600 | 688 | 492 | 3258 | 11193-13008 | 4 | 220V |
| 9791493 | 12 CU. FT. F/F | 1600 | 688 | 492 | 3258 | 3330-3870 | 4 | 115/120V |
| 9790423A | 14 CU. FT. F/F | 1729 | 702 | 506 | 3531 | 7462-8672 | 6 | 220V |
| 9790423 | 14 CU. FT. F/F | 1729 | 702 | 506 | 3531 | 2220-2580 | 6 | 115/120V |
| 9790422A | 14 CU. FT. F/F | 1813 | 720 | 524 | 3690 | 7462-8672 | 6 | 220V |
| 9790422 | 14 CU. FT. F/F | 1813 | 720 | 524 | 3690 | 2220-2580 | 6 | 115/120V |
| PART NO. | MODEL | DIM. A | DIM. B | DIM. C | HEATER WIRE LENGTH | HEATER WIRE TOTAL RSISTANCE | HEATER WIRE TOTAL OUTPUT(W) | VOLTS |

| NO. | Date | Drawn | Checked | Approved | |
|-----|------|-------|---------|----------|--|

| | | | | |
|---|----------|------|-------------|-------------------------|
| DO NOT SCALE DRAWING UNLESS OTHERWISE SPECIFIED DIMENSIONS ARE IN MILLIMETERS | MODEL | | | HON HAMN GROUP CORP. |
| THIRD ANGLE PROJ. | MATERIAL | | | |
| | FINISHED | | DESCRIPTION | STILE HEATER ELECTRICAL |
| DECIMAL TOLERANCES | Q'TY | | DRAWING NO | 979----- |
| X ANGLES X | DRAWN | DATE | REV: | SCALE |
| XX | CHECK | | SHEET | 1 OF 1 |
| XXX DEG | DESIGN | | | |