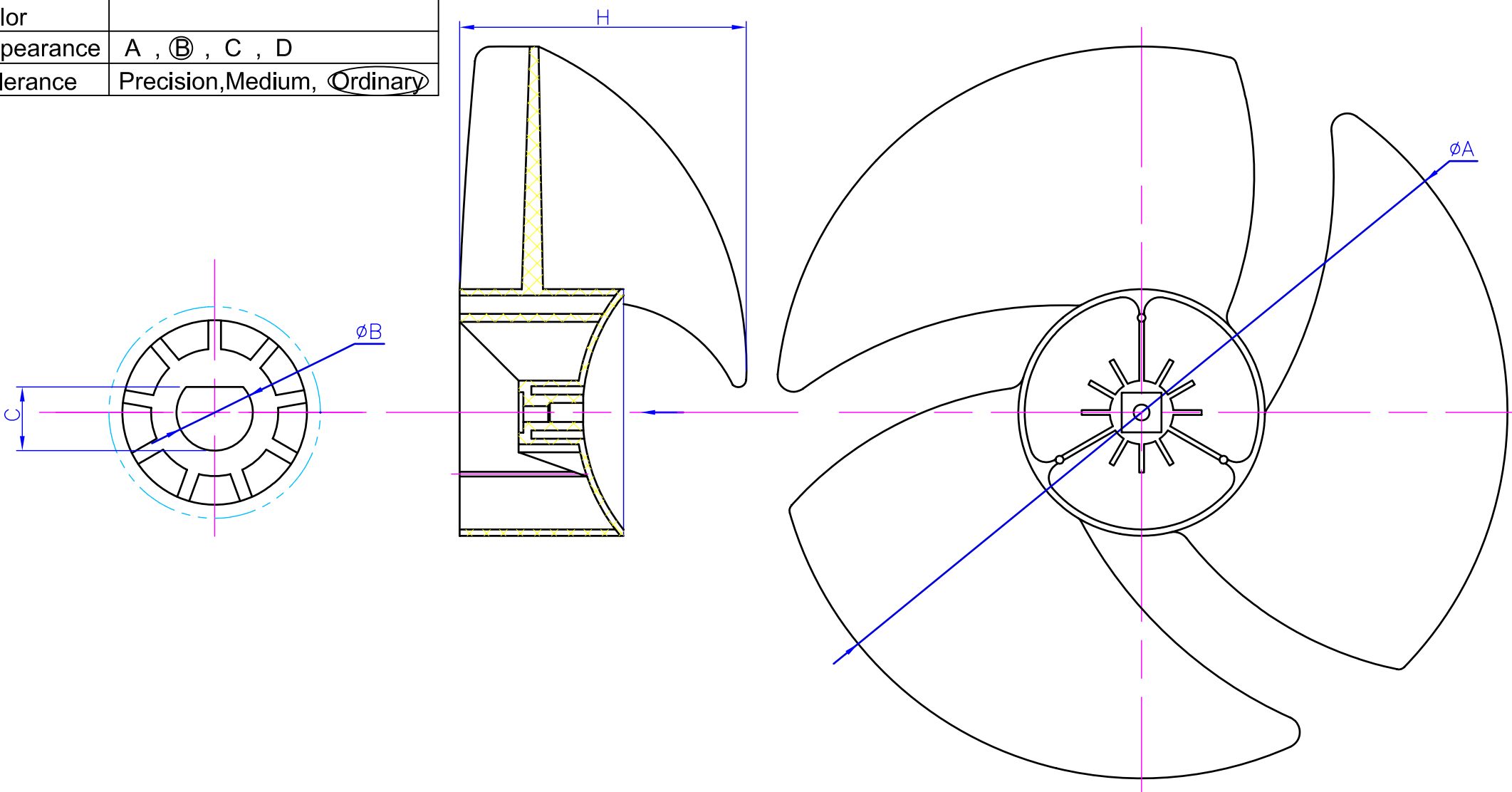

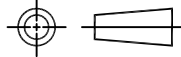


Material	
Color	
Appearance	A , B , C , D
Tolerance	Precision, Medium, Ordinary



NO.	Date	Drawn	Checked	Approved

DO NOT SCALE DRAWING	MODEL		 HON HAMN GROUP CORP.
UNLESS OTHERWISE SPECIFIED DIMENSIONS ARE IN MILLIMETERS	MATERIAL		
	FINISHED		
THIRD ANGLE PROJ.	Q'TY		DESCRIPTION
	DRAWN	DATE	CENTRIFUGAL FAN
	CHECK		
DECIMAL TOLERANCES	DESIGN		DRAWING NO
.x xx xxx			REV:
ANGLES X. DEG			SCALE
			SHEET
			1 OF 1
			SIZE A4