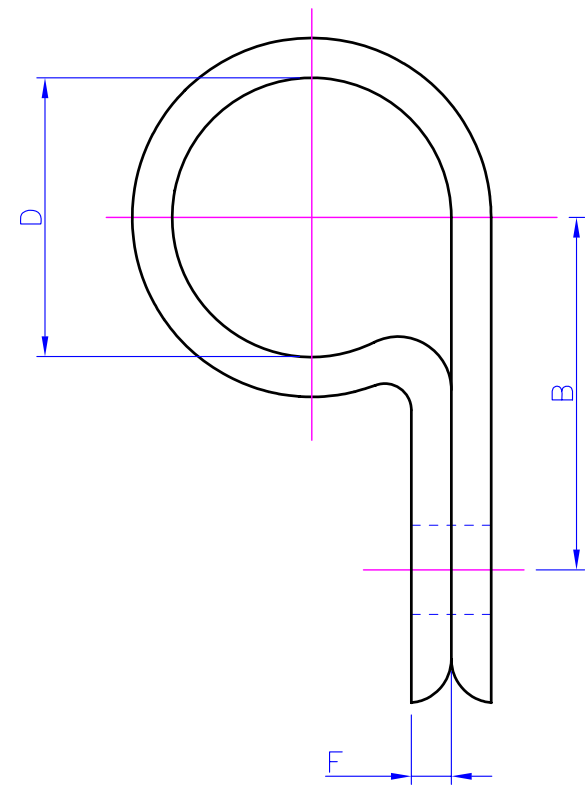
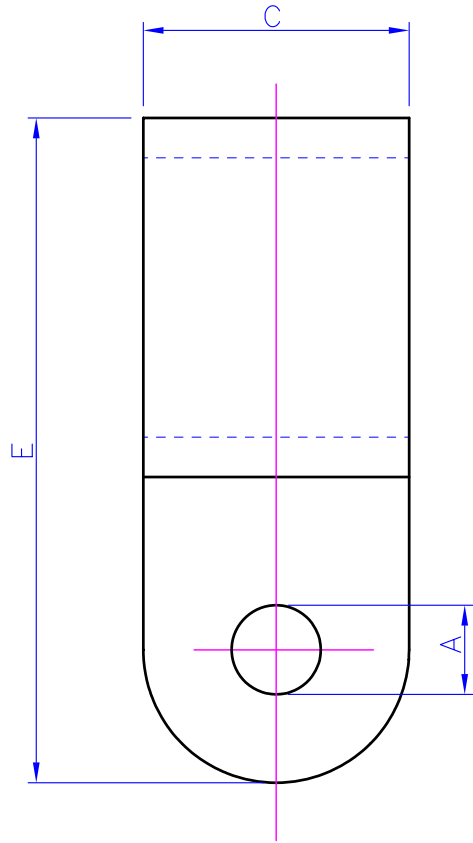

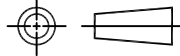
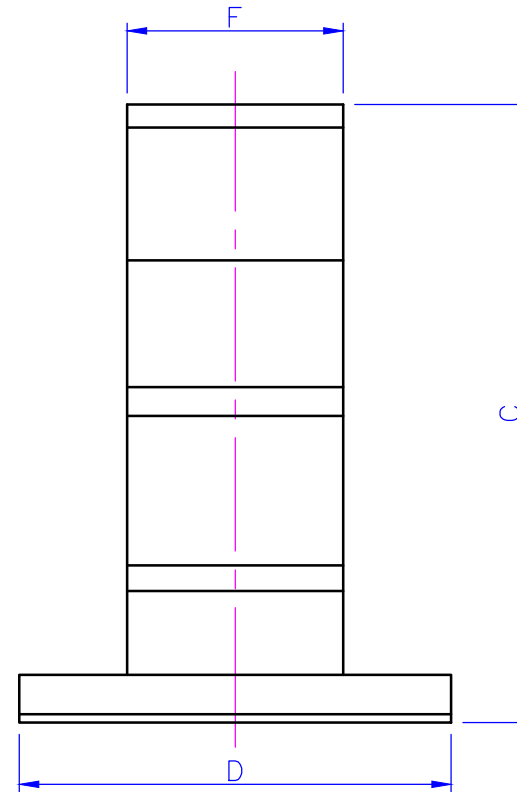
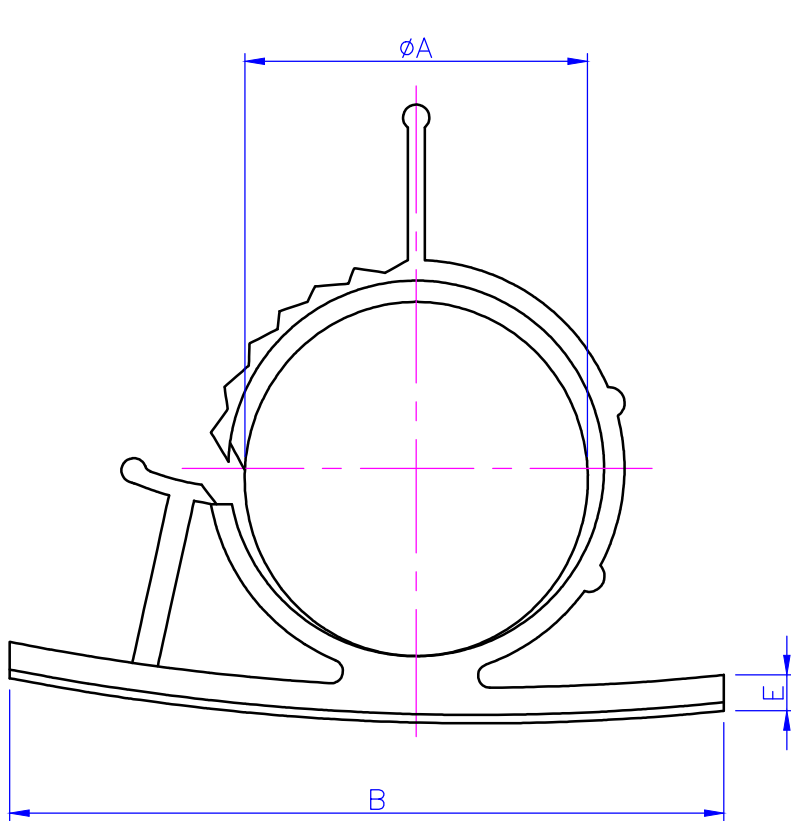


Material	
Color	
Appearance	A , B , C , D
Tolerance	Precision, Medium, Ordinary


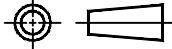


					DO NOT SCALE DRAWING	MODEL		 HON HAMN GROUP CORP.		
					UNLESS OTHERWISE SPECIFIED DIMENSIONS ARE IN MILLIMETERS	MATERIAL				
					THIRD ANGLE PROJ.	Q'TY		DESCRIPTION		
						DRAWN	DATE			
					DECIMAL TOLERANCES	CHECK		DRAWING NO		
					.x xx xxx	DESIGN			0501 CABLE CLAMP	SIZE A4
NO.	Date	Drawn	Checked	Approved	ANGLES X.	DEG	REV:	SCALE	SHEET	1 OF 1

Material	
Color	
Appearance	A , B , C , D
Tolerance	Precision,Medium, Ordinary



NO.	Date	Drawn	Checked	Approved

DO NOT SCALE DRAWING	MODEL		 HON HAMN GROUP CORP.
UNLESS OTHERWISE SPECIFIED DIMENSIONS ARE IN MILLIMETERS	MATERIAL		
	FINISHED		
THIRD ANGLE PROJ.	Q'TY		DESCRIPTION
	DRAWN	DATE	DRAWING NO
	CHECK		0517 ADJUSTABLE CABLE CLAMP
DECIMAL TOLERANCES	DESIGN		REV:
.x .xx .xxx			SCALE
ANGLES X. DEG			SHEET
			1 OF 1