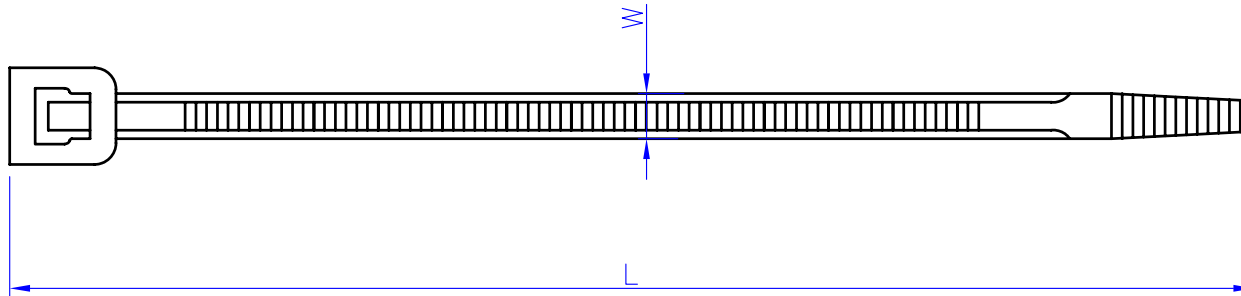
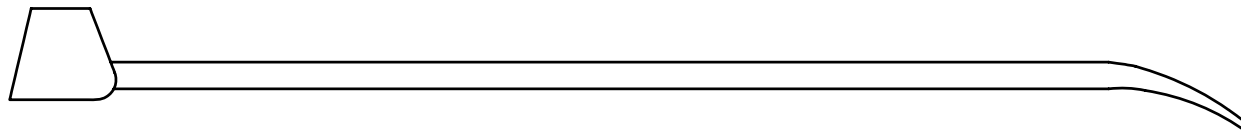

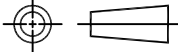
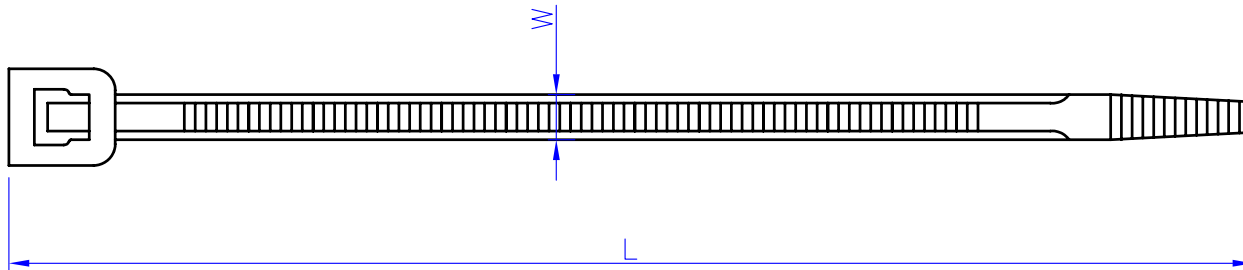
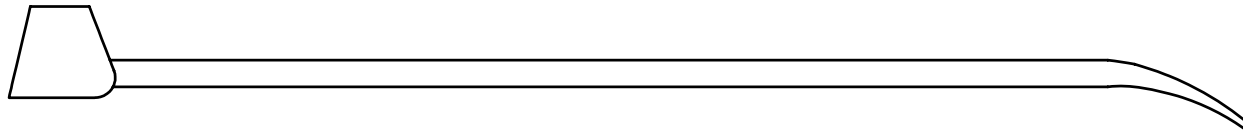



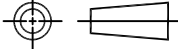
Material	
Color	
Appearance	A , B , C , D
Tolerance	Precision, Medium, Ordinary



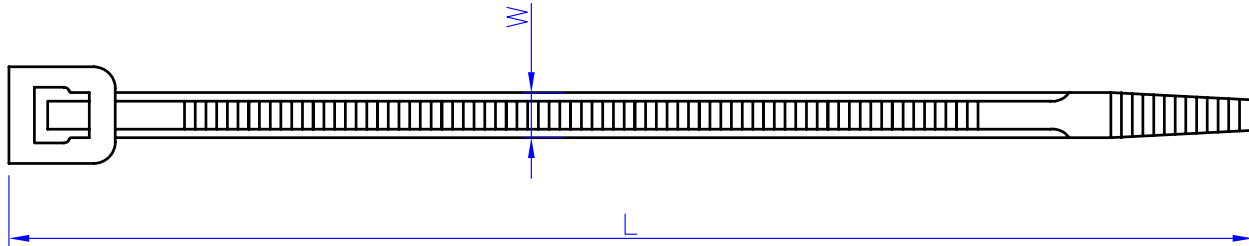
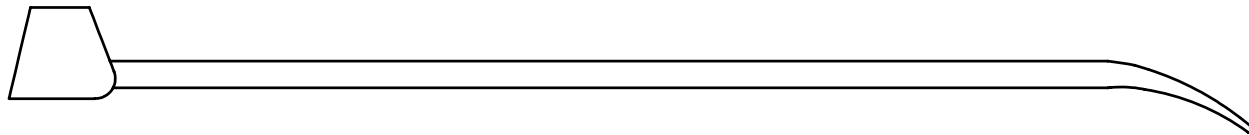
					DO NOT SCALE DRAWING	MODEL		 <b>HON HAMN GROUP CORP.</b>		
					UNLESS OTHERWISE SPECIFIED DIMENSIONS ARE IN MILLIMETERS	MATERIAL				
					THIRD ANGLE PROJ.	Q'TY		DESCRIPTION		
						DRAWN	DATE	NYLON CABLE TIE		
					DECIMAL TOLERANCES	CHECK		DRAWING NO		
					.x    xx    xxx	DESIGN		0301 EXTRA HEAVY DUTY TIE		
NO.	Date	Drawn	Checked	Approved	ANGLES X.	DEG	REV:	SCALE	SHEET	1 OF 1


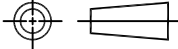
Material	
Color	
Appearance	A , <b>B</b> , C , D
Tolerance	Precision, Medium, <b>Ordinary</b>



					DO NOT SCALE DRAWING	MODEL		 <b>HON HAMN GROUP CORP.</b>		
					UNLESS OTHERWISE SPECIFIED DIMENSIONS ARE IN MILLIMETERS	MATERIAL				
					THIRD ANGLE PROJ.	Q'TY		DESCRIPTION		
						DRAWN	DATE	<b>NYLON CABLE TIE</b>		
					DECIMAL TOLERANCES	CHECK		DRAWING NO		
					.x    xx    xxx	DESIGN		<b>0301 NYLON CABLE TIE</b>		
NO.	Date	Drawn	Checked	Approved	ANGLES X.	DEG	REV:	SCALE	SHEET	1 OF 1

Material	
Color	
Appearance	A , B , C , D
Tolerance	Precision, Medium, Ordinary



					DO NOT SCALE DRAWING	MODEL		 <b>HON HAMN GROUP CORP.</b>
					UNLESS OTHERWISE SPECIFIED DIMENSIONS ARE IN MILLIMETERS	MATERIAL		
					THIRD ANGLE PROJ.	Q'TY		DESCRIPTION
						DRAWN	DATE	<b>NYLON CABLE TIE</b>
					DECIMAL TOLERANCES	CHECK		DRAWING NO
					.x    xx    xxx	DESIGN		0301 WEATHER RESISTANT NYLON CABLE TIE
NO.	Date	Drawn	Checked	Approved	ANGLES X.	DEG	REV:	SCALE
								SHEET
								1 OF 1