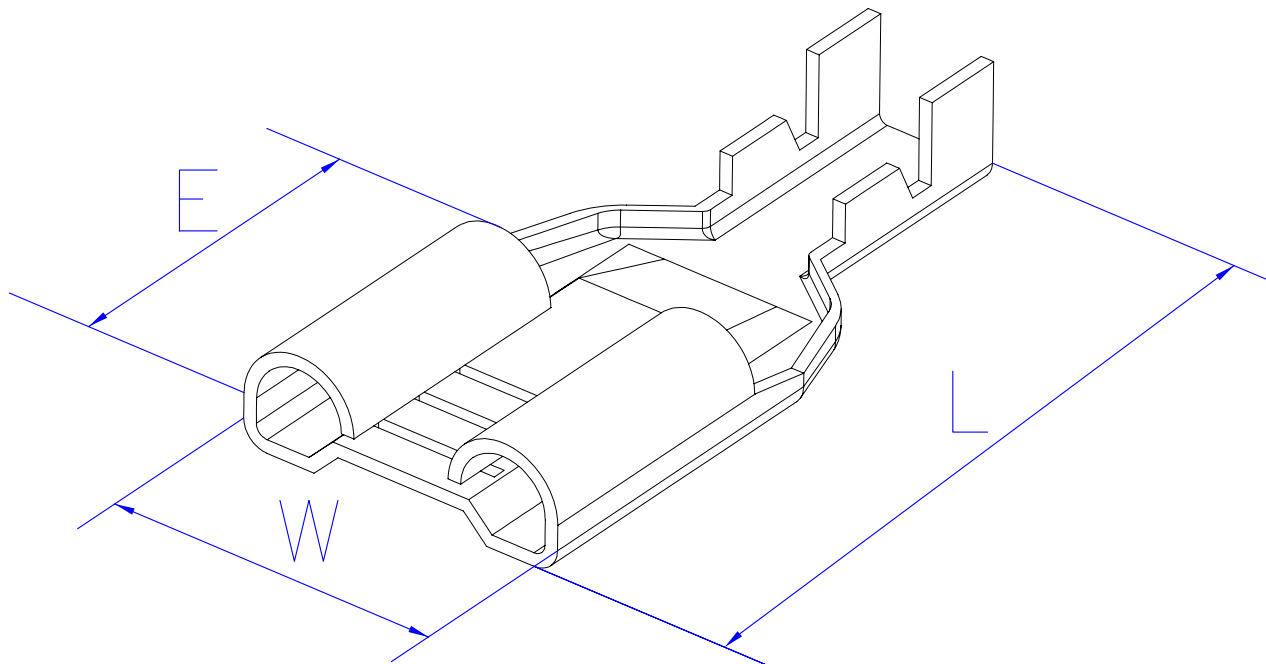

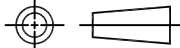
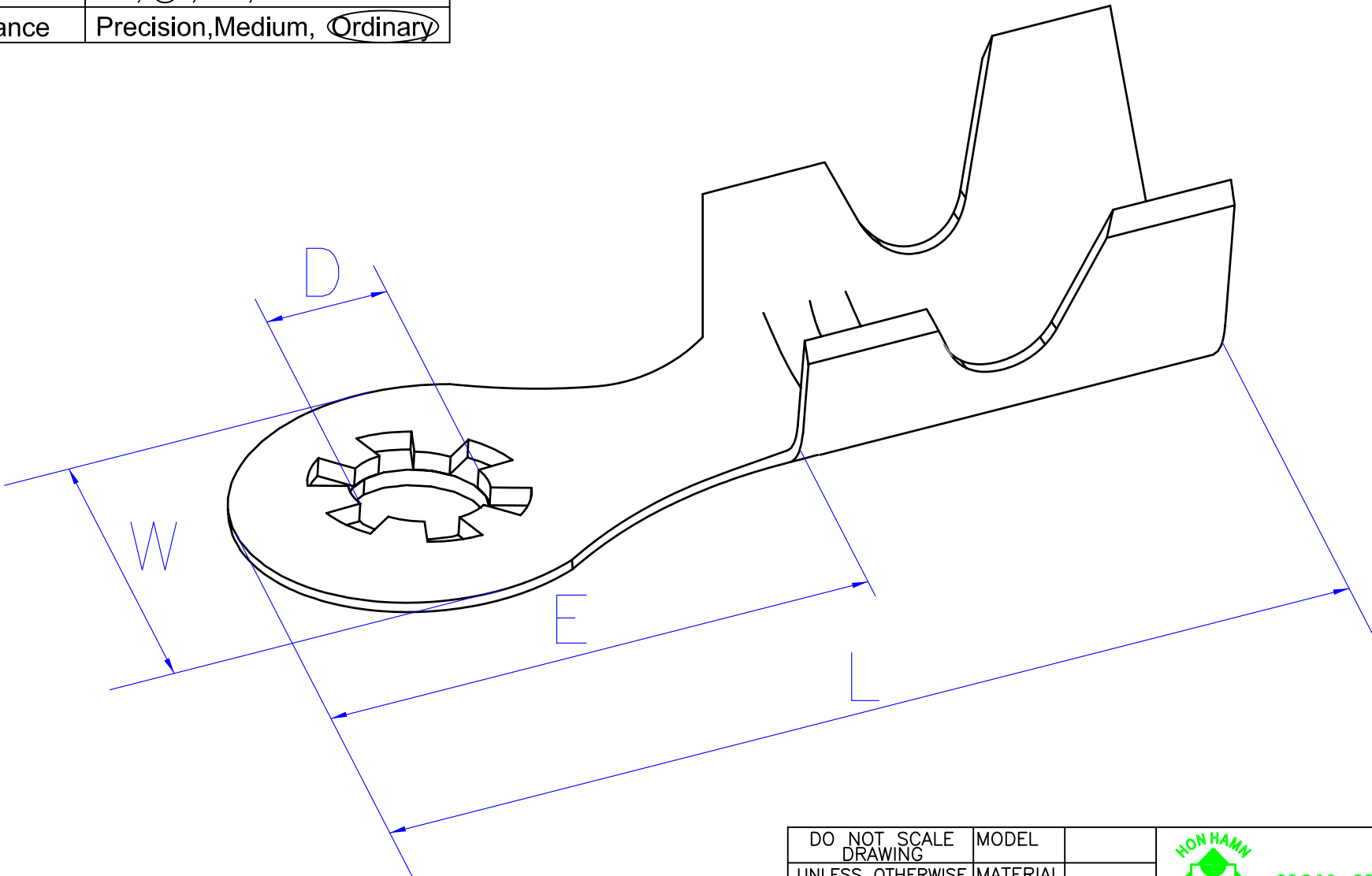


Material	
Color	
Appearance	A , B , C , D
Tolerance	Precision, Medium, Ordinary


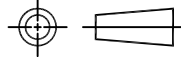


					DO NOT SCALE DRAWING	MODEL		 <b>HON HAMN GROUP CORP.</b>
					UNLESS OTHERWISE SPECIFIED DIMENSIONS ARE IN MILLIMETERS	MATERIAL		
					THIRD ANGLE PROJ.	Q'TY		DESCRIPTION
						DRAWN	DATE	
					DECIMAL TOLERANCES	CHECK		DRAWING NO
					.x    xx    xxx	DESIGN		
NO.	Date	Drawn	Checked	Approved	ANGLES X.	DEG		REV:
							SCALE	SHEET
							1 OF 1	

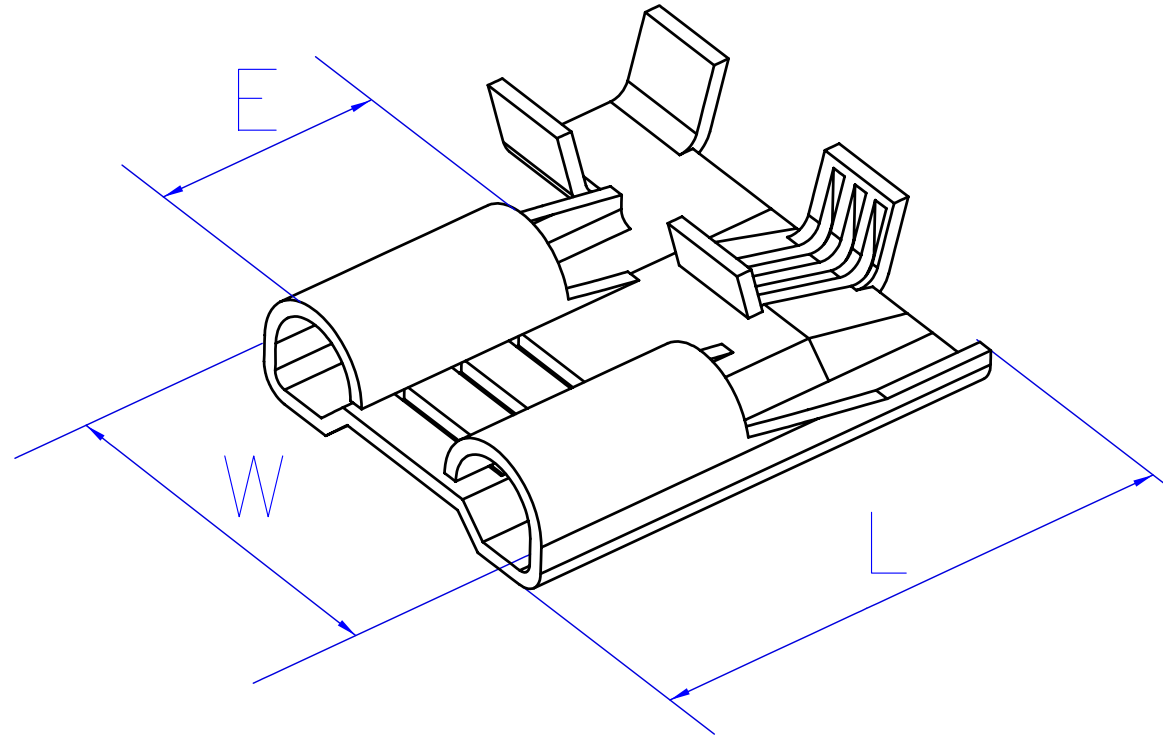
Material	
Color	
Appearance	A , B , C , D
Tolerance	Precision, Medium, Ordinary


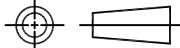


NO.	Date	Drawn	Checked	Approved

DO NOT SCALE DRAWING UNLESS OTHERWISE SPECIFIED DIMENSIONS ARE IN MILLIMETERS	MODEL		 <b>HON HAMN GROUP CORP.</b>
	MATERIAL		
THIRD ANGLE PROJ. 	FINISHED		
	Q'TY		DESCRIPTION
DECIMAL TOLERANCES .x    .xx    .xxx ANGLES X.    DEG	DRAWN	DATE	DRAWING NO
	CHECK		<b>ANTI-SLIDE SUN TYPE TERMINAL</b>
	DESIGN		SIZE <b>A4</b>
		REV:	SCALE
			SHEET 1 OF 1

Material	
Color	
Appearance	A , B , C , D
Tolerance	Precision, Medium, <u>Ordinary</u>



					DO NOT SCALE DRAWING	MODEL		 <b>HON HAMN GROUP CORP.</b>		
					UNLESS OTHERWISE SPECIFIED DIMENSIONS ARE IN MILLIMETERS	MATERIAL				
					THIRD ANGLE PROJ.	Q'TY		DESCRIPTION		
						DRAWN	DATE			
					DECIMAL TOLERANCES	CHECK		DRAWING NO		
					.x    xx    xxx	DESIGN			<b>FLAG TERMINALS</b>	SIZE <b>A4</b>
NO.	Date	Drawn	Checked	Approved	ANGLES X.	DEG	REV:	SCALE	SHEET	1 OF 1