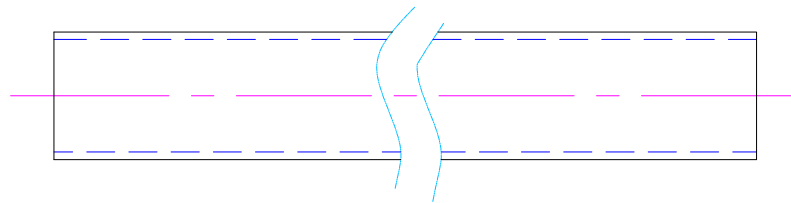
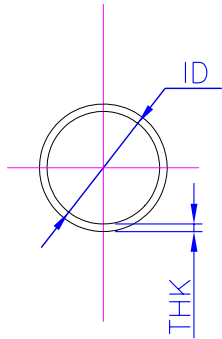

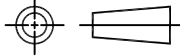


Material	
Color	
Appearance	A , B , C , D
Tolerance	Precision, Medium, Ordinary



					DO NOT SCALE DRAWING	MODEL		 HON HAMN GROUP CORP.
					UNLESS OTHERWISE SPECIFIED DIMENSIONS ARE IN MILLIMETERS	MATERIAL		
					THIRD ANGLE PROJ.	Q'TY		DESCRIPTION
						DRAWN	DATE	
					DECIMAL TOLERANCES	CHECK		DRAWING NO
					.x xx xxx	DESIGN		0927 HEAT-SHRINKABLE TUBINGS
NO.	Date	Drawn	Checked	Approved	ANGLES X.	DEG		REV:
							SCALE	SHEET
								1 OF 1

SIZE
A4