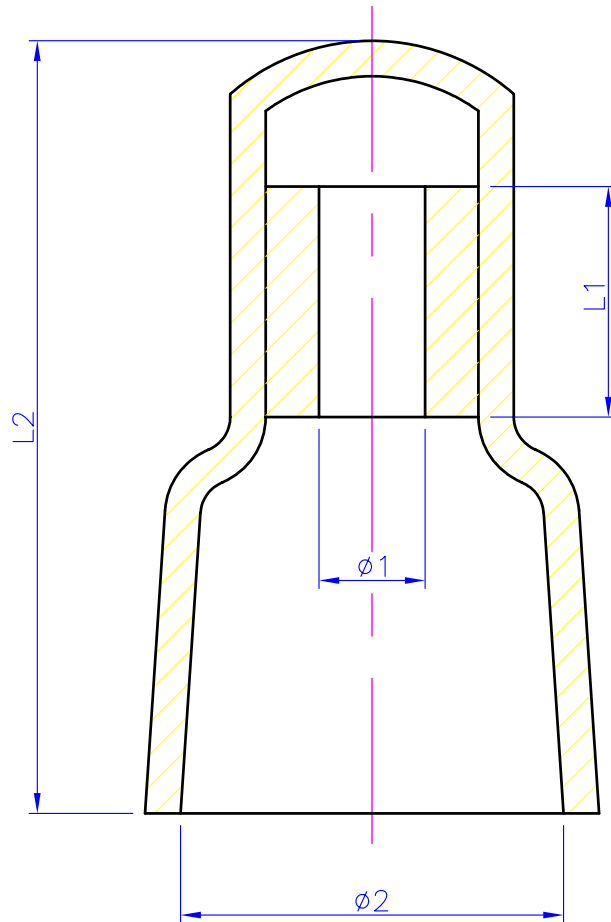

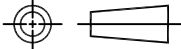


Material	
Color	
Appearance	A , B , C , D
Tolerance	Precision, Medium, <u>Ordinary</u>



					DO NOT SCALE DRAWING	MODEL		 <b>HON HAMN GROUP CORP.</b>		
					UNLESS OTHERWISE SPECIFIED DIMENSIONS ARE IN MILLIMETERS	MATERIAL				
					THIRD ANGLE PROJ.	Q'TY		DESCRIPTION		
						DRAWN	DATE			
					DECIMAL TOLERANCES	CHECK		DRAWING NO	SIZE	
					.x    xx    xxx	DESIGN		0801 CLOSE-END WIRE CONNECTOR	<b>A4</b>	
NO.	Date	Drawn	Checked	Approved	ANGLES X.	DEG	REV:	SCALE	SHEET	1 OF 1