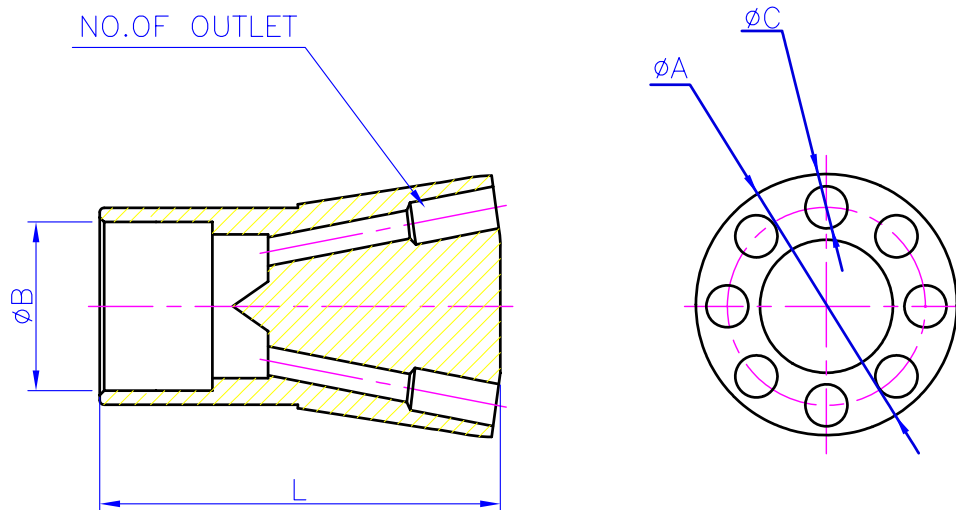

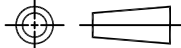


Material	
Color	
Appearance	A , B , C , D
Tolerance	Precision, Medium, Ordinary



					DO NOT SCALE DRAWING	MODEL		 <b>HON HAMN GROUP CORP.</b>	
					UNLESS OTHERWISE SPECIFIED DIMENSIONS ARE IN MILLIMETERS	MATERIAL			
					THIRD ANGLE PROJ.	Q'TY		DESCRIPTION	
						DRAWN	DATE	<b>DISTRIBUTOR</b>	
					DECIMAL TOLERANCES	CHECK		DRAWING NO	
					.x    xx    xxx	DESIGN		REV:	SCALE
NO.	Date	Drawn	Checked	Approved	ANGLES X.	DEG			SIZE <b>A4</b>