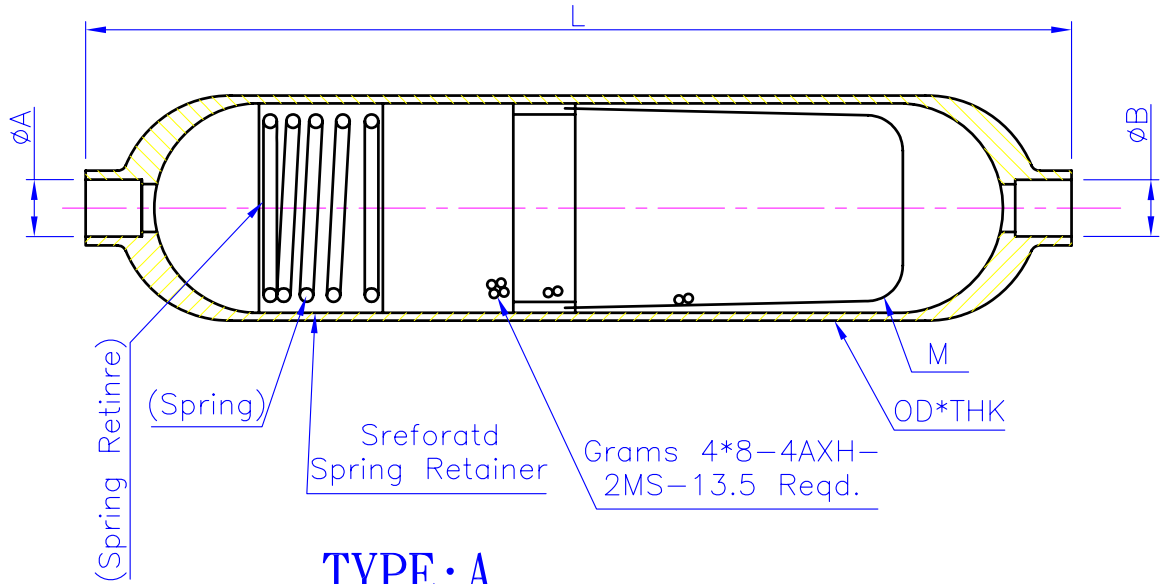
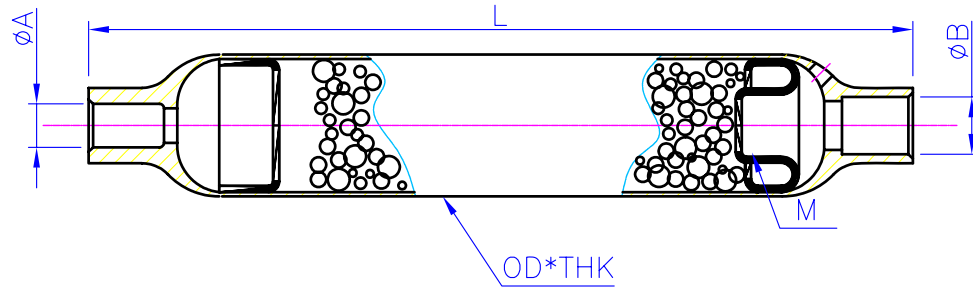



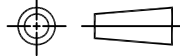
Material	
Color	
Appearance	A , B , C , D
Tolerance	Precision, Medium, Ordinary



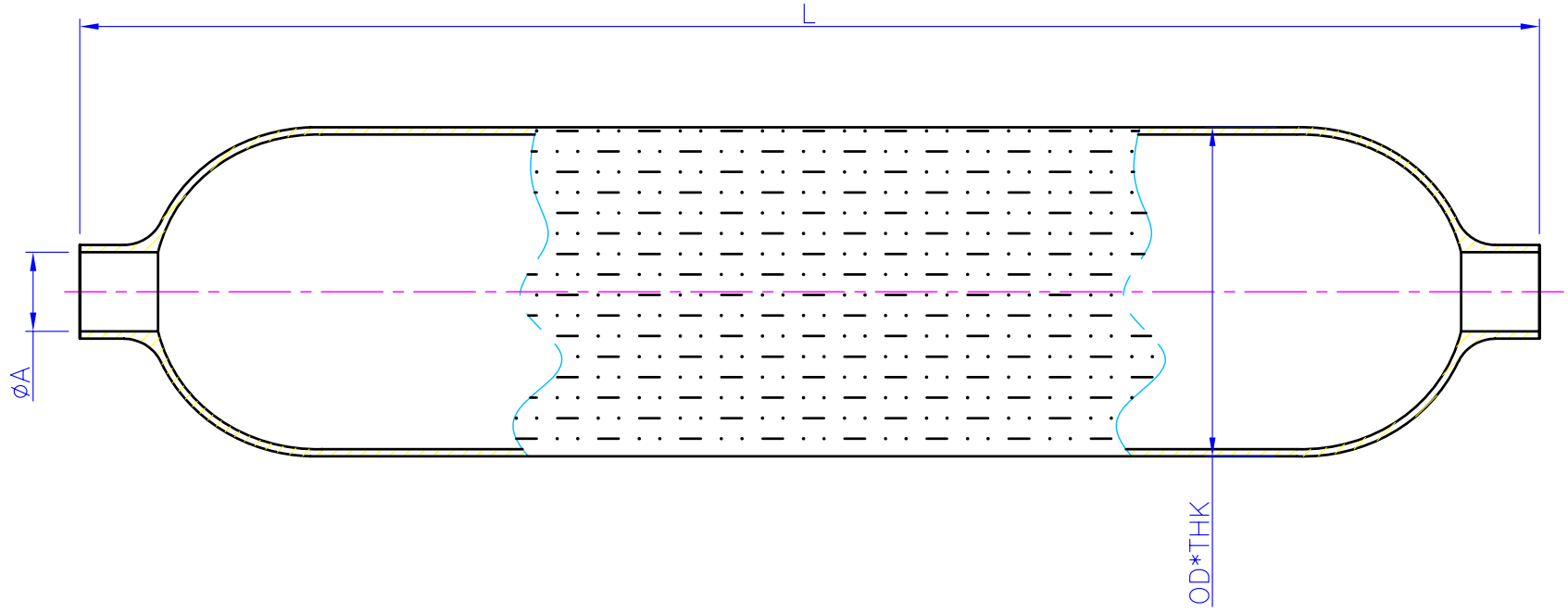
TYPE:A


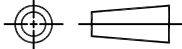


TYPE:B

					DO NOT SCALE DRAWING	MODEL		 HON HAMN GROUP CORP.
					UNLESS OTHERWISE SPECIFIED DIMENSIONS ARE IN MILLIMETERS	MATERIAL		
					THIRD ANGLE PROJ.	Q'TY		DESCRIPTION
						DRAWN	DATE	FINLTER/DRIER
					DECIMAL TOLERANCES	CHECK		DRAWING NO
					.x xx xxx	DESIGN		SIZE
NO.	Date	Drawn	Checked	Approved	ANGLES X.	DEG	REV:	SCALE
								SHEET
								1 OF 1

Material	
Color	
Appearance	A , B , C , D
Tolerance	Precision, Medium, Ordinary



					DO NOT SCALE DRAWING	MODEL		 HON HAMN GROUP CORP.			
					UNLESS OTHERWISE SPECIFIED DIMENSIONS ARE IN MILLIMETERS	MATERIAL	COPPER				
					THIRD ANGLE PROJ.	FINISHED		DESCRIPTION MUFFLERR			
						Q'TY					
					DECIMAL TOLERANCES	DRAWN	DATE	DRAWING NO			
					.x xx xxx	CHECK					
NO.	Date	Drawn	Checked	Approved	ANGLES X.	DESIGN		REV:	SCALE	SHEET	1 OF 1