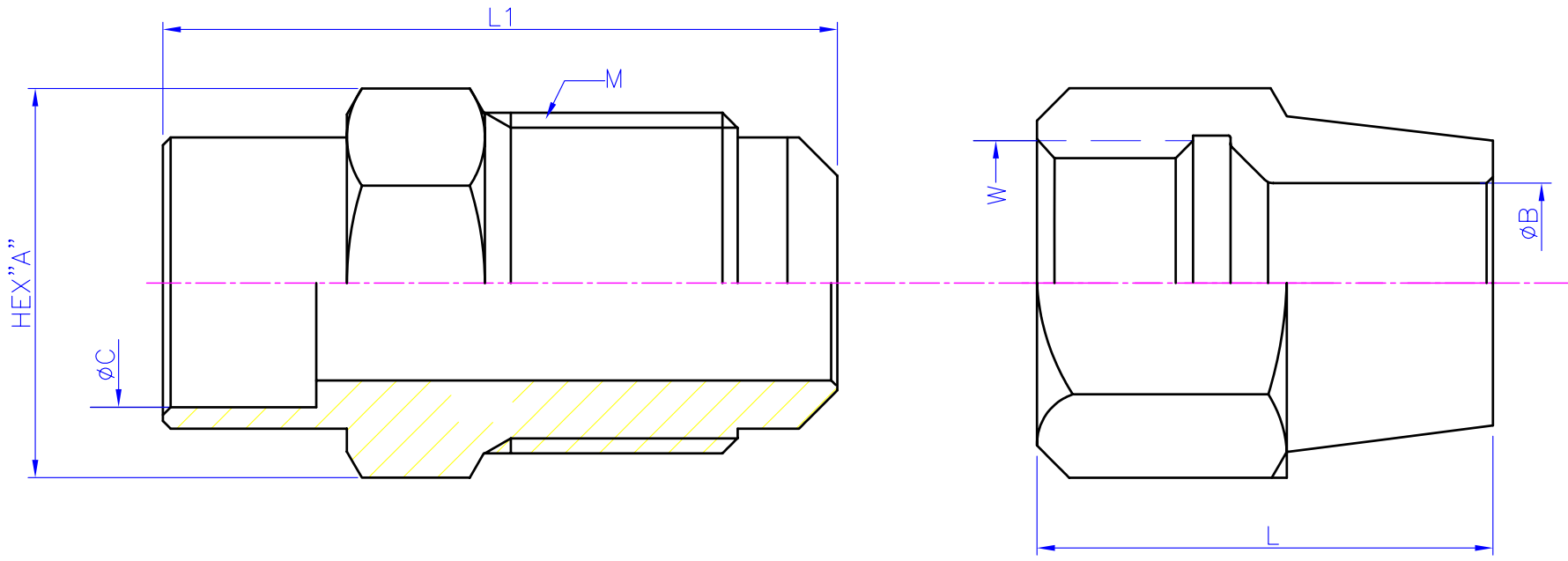

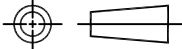


Material	
Color	
Appearance	A , B , C , D
Tolerance	Precision, Medium, Ordinary



					DO NOT SCALE DRAWING	MODEL	 HON HAMN GROUP CORP.			
					UNLESS OTHERWISE SPECIFIED DIMENSIONS ARE IN MILLIMETERS	MATERIAL BRASS				FINISHED
					THIRD ANGLE PROJ.	Q'TY	DESCRIPTION HALF-UNION***FLARE***ODS			
						DRAWN				DATE
					DECIMAL TOLERANCES	CHECK	DRAWING NO		SIZE	
					.x xx xxx	DESIGN			REV:	SCALE
NO.	Date	Drawn	Checked	Approved	ANGLES X.	DEG	REV:	SCALE	SHEET	1 OF 1