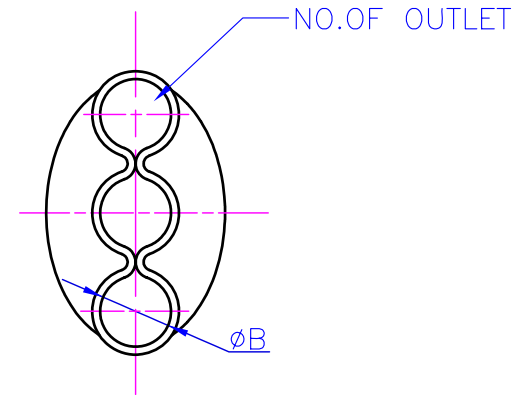
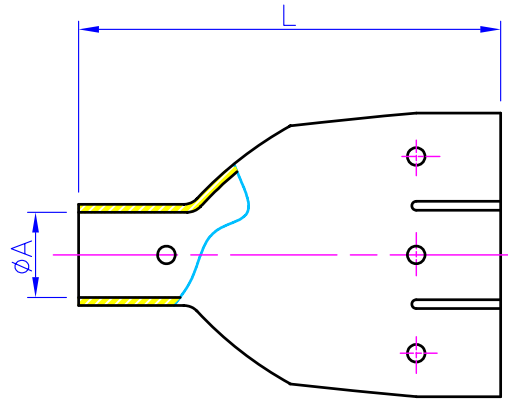

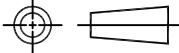


Material	
Color	
Appearance	A , B , C , D
Tolerance	Precision, Medium, Ordinary



					DO NOT SCALE DRAWING	MODEL		 HON HAMN GROUP CORP.	
					UNLESS OTHERWISE SPECIFIED DIMENSIONS ARE IN MILLIMETERS	MATERIAL	COPPER		
					THIRD ANGLE PROJ.	FINISHED		DESCRIPTION	
						Q'TY		DISTRIBUTOR	
					DECIMAL TOLERANCES	DRAWN	DATE	DRAWING NO	
					.x .xx .xxx	CHECK		SIZE	
					ANGLES X DEG	DESIGN		REV:	A4
NO.	Date	Drawn	Checked	Approved				SCALE	SHEET 1 OF 1