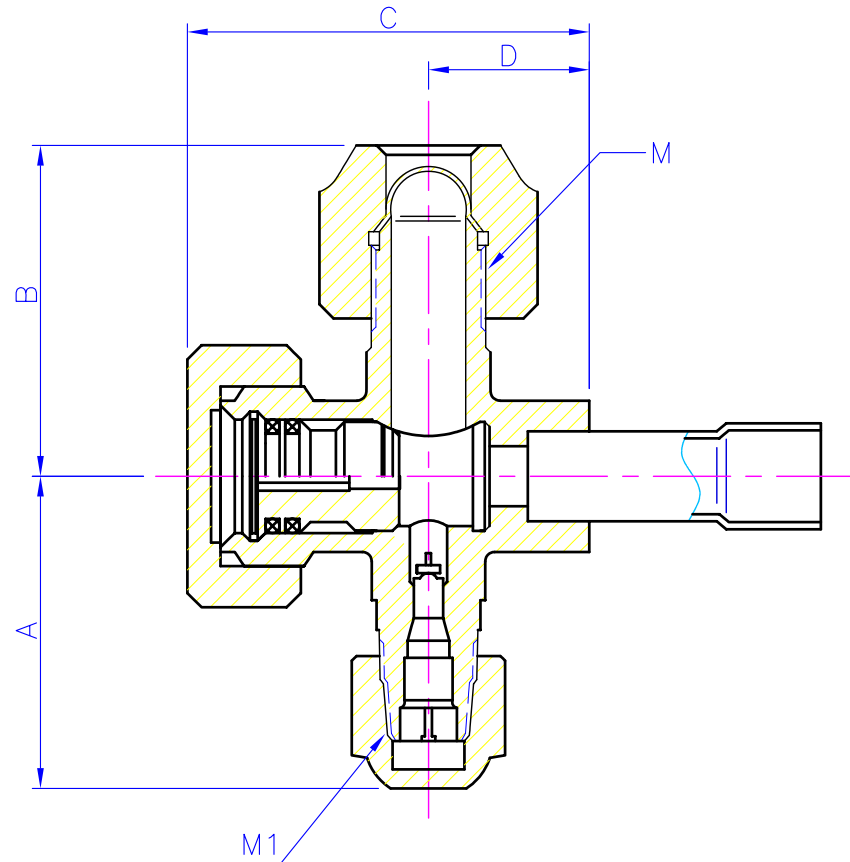
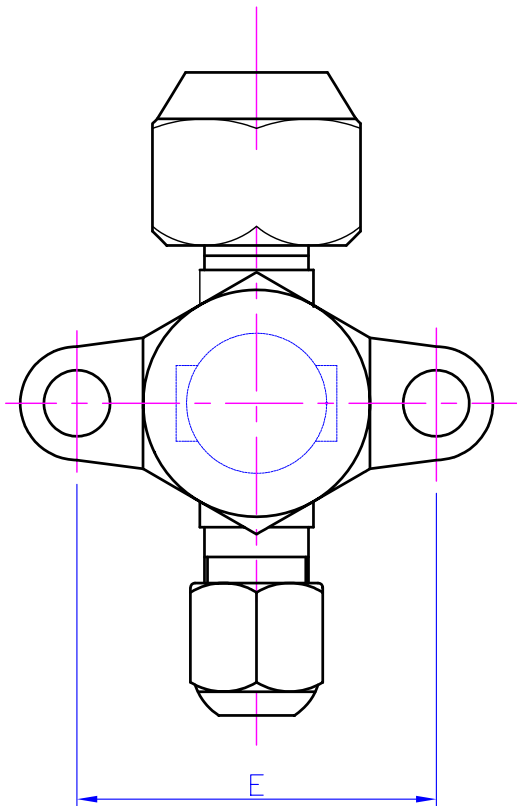

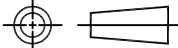


Material	
Color	
Appearance	A , B , C , D
Tolerance	Precision, Medium, Ordinary



NO.	Date	Drawn	Checked	Approved

DO NOT SCALE DRAWING	MODEL		 <b>HON HAMN GROUP CORP.</b>
UNLESS OTHERWISE SPECIFIED DIMENSIONS ARE IN MILLIMETERS	MATERIAL		
	FINISHED		
THIRD ANGLE PROJ.	Q'TY		DESCRIPTION
	DRAWN	DATE	BRASS SERVICE VALVES ODS*SAE FLARE
	CHECK		DRAWING NO
DECIMAL TOLERANCES	DESIGN		SIZE
.x    xx    xxx			<b>A4</b>
ANGLES X.    DEG	REV:	SCALE	SHEET
			1 OF 1