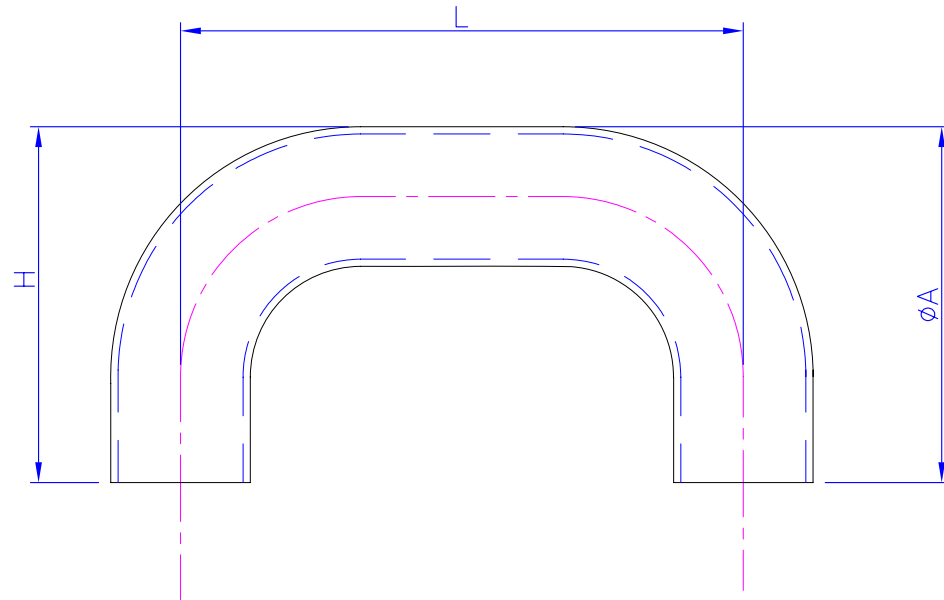

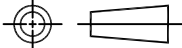


Material	
Color	
Appearance	A , B , C , D
Tolerance	Precision, Medium, Ordinary



					DO NOT SCALE DRAWING	MODEL		 <b>HON HAMN GROUP CORP.</b>		
					UNLESS OTHERWISE SPECIFIED DIMENSIONS ARE IN MILLIMETERS	MATERIAL				
					THIRD ANGLE PROJ.	Q'TY		DESCRIPTION		
						DRAWN	DATE	RETURN BEND(1.25"C.D.)		
					DECIMAL TOLERANCES	CHECK		DRAWING NO		
					.x    xx    xxx	DESIGN		SIZE		
NO.	Date	Drawn	Checked	Approved	ANGLES X.	DEG	REV:	SCALE	SHEET	1 OF 1